

**NARDI**  
AGRICULTURE SINCE 1980 **HARVESTING**  
**TRAILERS**



**NARDI**  
**MAIZESTORM**  
CORN HEADER MZH & MZH AVANT

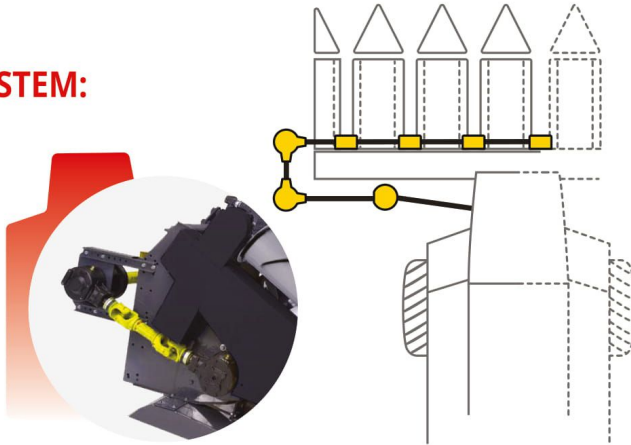
# MZH & MZH AVANT

CORN HARVESTING

BOTH AVAILABLE WITH IRON BONNETS & OIL BATH CHAINS TRANSMISSION

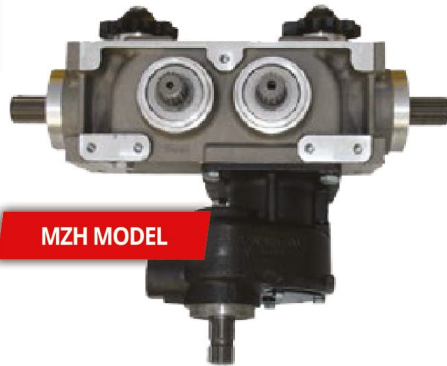
## THE MOST MODERN SYSTEM: NO MAINTENANCE

- ▶ New transmissions with conical & universal joint coupling
- ▶ Right angle gearboxes and PTO shaft couplings reduce maintenance needs for the transmissions and make them more reliable than chain drives.

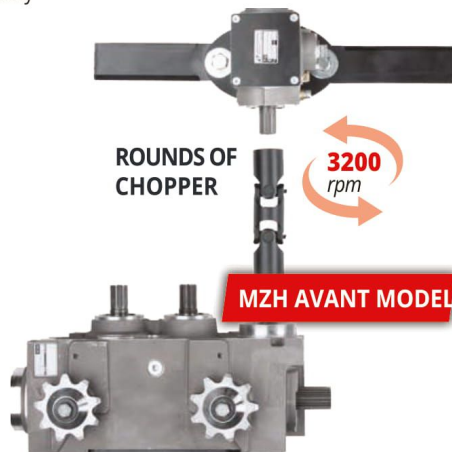


## NEW GROUPS WITH CLUTCH INCORPORATED IN AN OIL BATH BOX

- ▶ High technology hardened steel gears protected by a torque limiting device in an oil bath
- ▶ Exceptional life
- ▶ Kinematics safety



MZH MODEL



ROUNDS OF  
CHOPPER

3200  
rpm

MZH AVANT MODEL



## FAST ASSISTANCE

- ▶ Put in function & assistance performed by qualified technician

▶ Assistance available 7 days a week



## SPARE PARTS SERVICE

- ▶ Parts available for immediate shipm. and stocked at dealers

▶ Authorized distributors

## ACCESSORIES ON REQUEST

- ▶ Stalk chopper (TR)
- ▶ Side augers: left and/or right
- ▶ Transmission boxes with interchangeable gears
- ▶ Double transmission

- ▶ Hydraulic kits
- ▶ Light bar
- ▶ SunHower harvesting kit

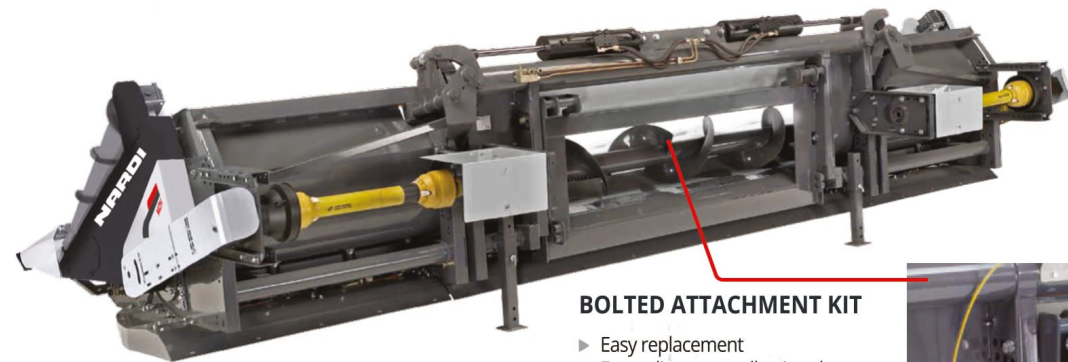
## PLASTIC BONNETS & TIPS WITH REINFORCED STEEL PLATES AND HARDOX POINTS

- ▶ Zero maintenance and no wear out.
- ▶ Better sliding of down crops

▶ Cobs that falling on the bonnets is better absorbed.

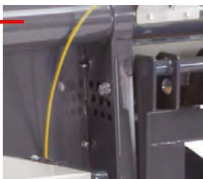
## SIDE AUGERS WITH MECHANIC CONTROL

- ▶ Easy harvesting of down crops thanks to regular and constant auger rotation



## BOLTED ATTACHMENT KIT

- ▶ Easy replacement
- ▶ Easy adjustments allowing changes of header inclination.

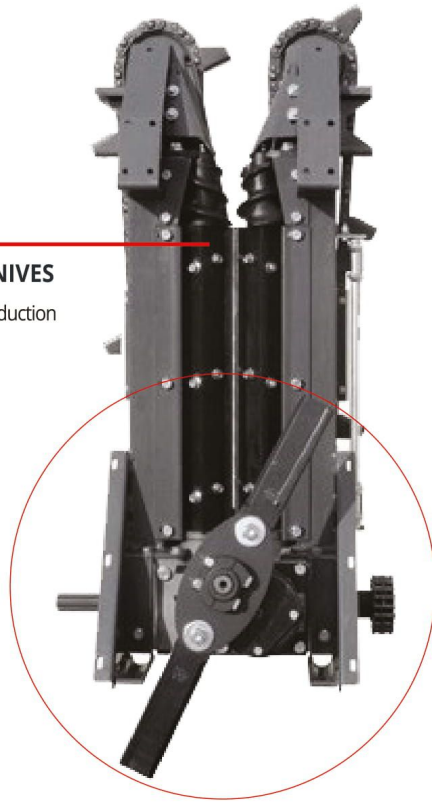


# MZH MODEL

RIGID & FOLDABLE

## HARVESTING ROLLERS WITH COUNTER-ROTATING KNIVES

- ▶ Rollers supported at the front have helical-conical tips to help the introduction of the stalk.
- ▶ Each roller with four adjustable steel, tungsten carbide edged knives that guarantee a perfect harvesting and pre-chopping of the stalk.
- ▶ A scraper knife prevents grass from wrapping around the roller.



## CLOSED RING HARVESTING CHAINS

- ▶ Chains automatically adjusted by a pusher.
- ▶ Made of steel gears, guaranteeing exceptional duration in all working conditions.

## HARVESTING PLATES ADJUSTABLE FROM THE DRIVING SEAT

- ▶ Distance between the cob harvesting plates can be adjusted directly from the combine cabin.



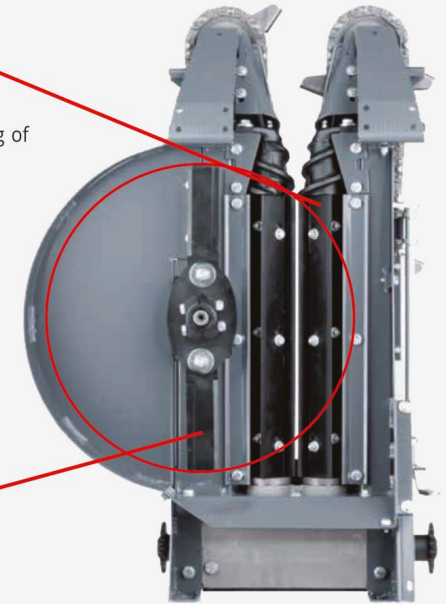
# MZH AVANT MODEL

RIGID & FOLDABLE

## HARVESTING ROLLERS WITH COUNTER-ROTATING KNIVES

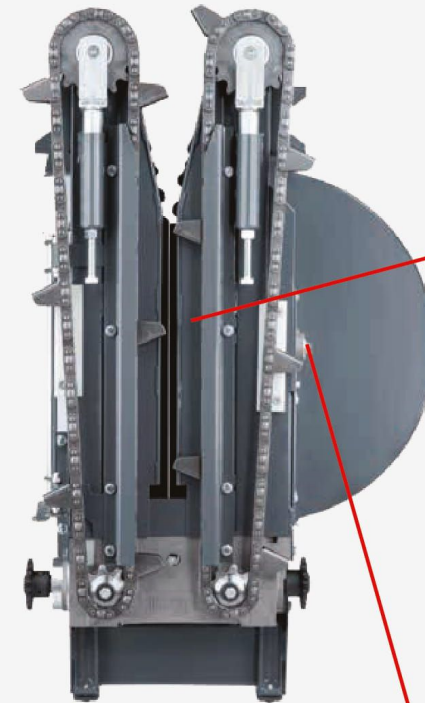
- ▶ Each roller with four adjustable steel, tungsten carbide edged knives that guarantee a perfect harvesting and pre-chopping of the stalk.
- ▶ A scraper knife prevents grass from wrapping around the roller.
- ▶ Rollers supported at the front have helical-conical tips to help the introduction of the stalk.

- ▶ New position for best chopping quality
- ▶ Pre-chopping of the stalk.



## ADJUSTABLE WIDTH BETWEEN PLATES (hydr. or electric)

- ▶ Distance between the cob harvesting plates can be adjusted directly from the combine cabin.



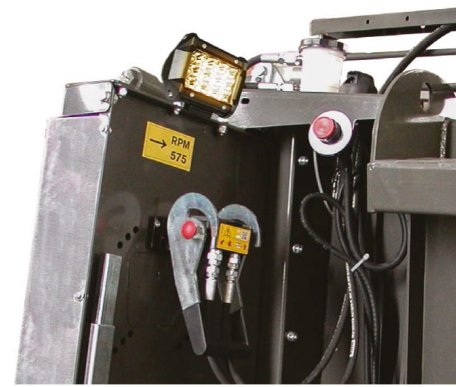
STALK CHOPPER (TR) CAN BE DISENGAGED





### STALK PRESSING KIT

- Combine-harvester tyre protection




### LIGHT ON REAR SIDE

- Easy combine harvester operations


## TECHNICAL SPECIFICATIONS

From 4 to 12 rows

### MZH Fixed type

N°	U <-> U	▶ A A A A <	KG	KG + 
4	70 - 75 - 80 cm	315 cm (cm 75)	1200 kg	1450 kg
5	70 - 75 - 80 cm	390 cm (cm 75)	1600 kg	1850 kg
6	70 - 75 - 80 cm	465 cm (cm 75)	1850 kg	2050 kg
8	70 - 75 - 80 cm	615 cm (cm 75)	2450 kg	2700 kg
10	70 - 75 - 80 cm	770 cm	3000 kg	3400 kg
12	75 cm	920 cm	3500 kg	4000 kg
12	45 cm	585 cm	2700 kg	-

### MZH Foldable type

N°	U <-> U	▶ A A A A <	KG	KG + 
5	70 - 75 - 80 cm	250 cm (cm 75)	1800 kg	1950 kg
6	70 - 75 - 80 cm	315 cm (cm 75)	2080 kg	2250 kg
8	70 - 75 - 80 cm	335 cm (cm 75)	2600 kg	2900 kg
10	75 cm	380 cm	3200 kg	3600 kg
12	75 cm	440 cm	3700 kg	4200 kg
12	45 cm	382 cm	3200 kg	-

### MZH AVANT Fixed type with chopper

N°	U <-> U
4 - 16	70 - 75 - 80 cm

### MZH AVANT Foldable type with chopper

N°	U <-> U
5 - 12	70 - 75 - 80 cm

## WHO WE ARE

The company is on the market since 1980 and today is a recognized brand in Europe, North America and Africa thanks to its products' quality and reliability. Mr. Nardi Bruno, company founder, was born in a family of farmers but reached an Engineering degree before starting designing and manufacturing combine trailers in the early '80s. During '90s his son joined the company until he retired in 2005 and wide the product range to include headers for harvesting.

## 2 SITES, 6000 m<sup>2</sup>

Today the company has 2 production sites with a total of 6000 sq. meters and produces a complete range of combine headers/cutting bars/heads to harvest corn, sunflowers, soy and other cereals. Thanks to our experience, design and production processes are 100% carried out in our premises in Italy starting from raw materials.

All right reserved. No part of this publication may be reproduced in any form without prior permission from Pegaso s.r.l.

The products depicted in this catalogue are true to specifications at the time of publication. Pegaso s.r.l. reserves the right to any given changes without advance notification. The presentation provides only a point of reference.

Printed: 03/2020

